

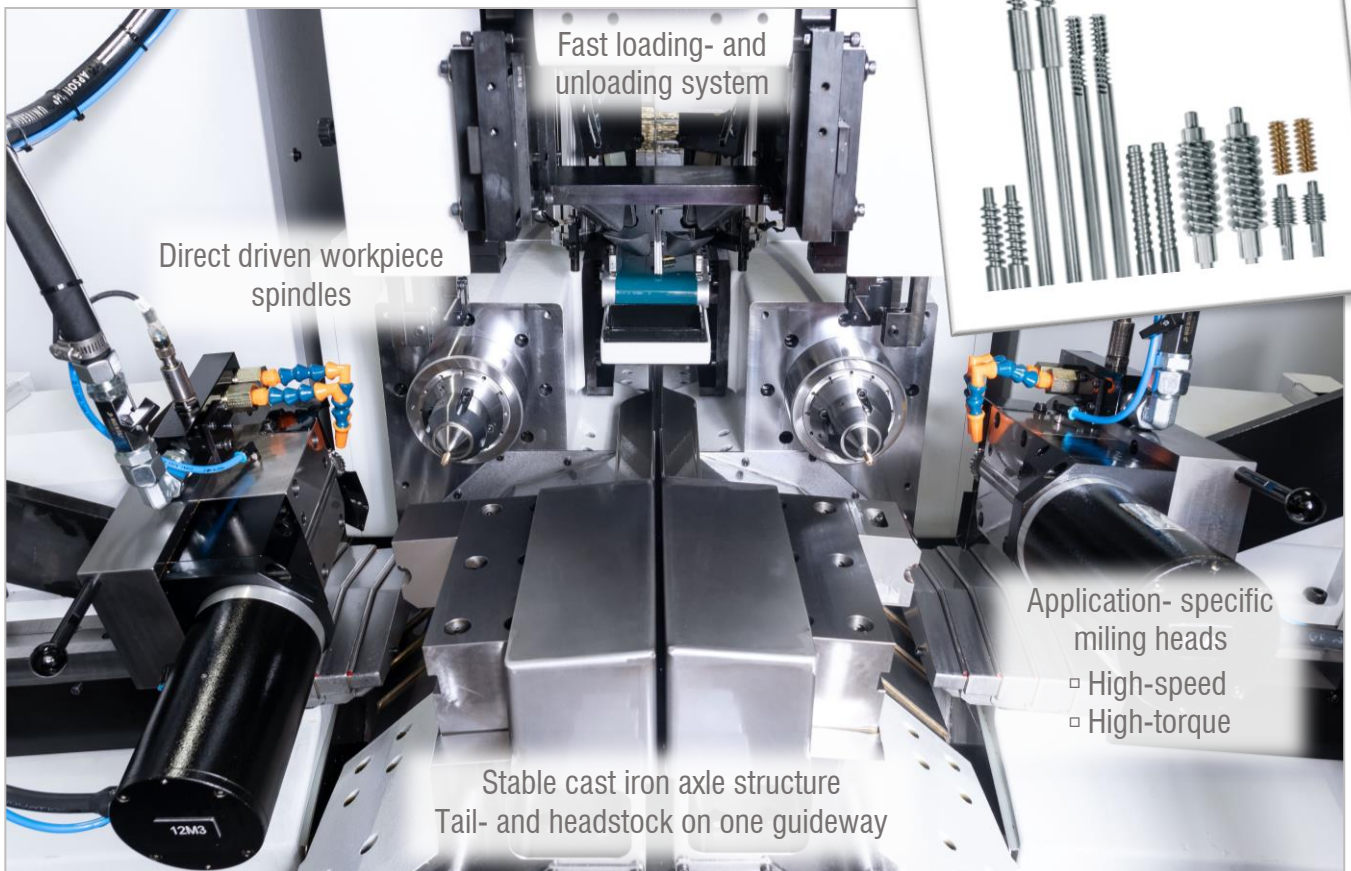
M677 Duplex

Worm milling machine



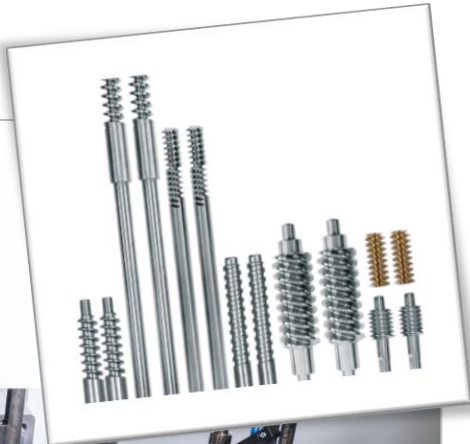
- High output due to double spindle design
- Intuitive user interface
- Small footprint
- Optimal accessibility
- Short changeover times within W20 or W25
- Single (fast) purpose or gantry (universal) loader
- Integrated production data acquisition
- Modul 2.5mm

Test us and the machine in the MZ - competence center



Fast loading- and unloading system

Direct driven workpiece spindles



Application- specific milling heads

- High-speed
- High-torque

Stable cast iron axle structure
 Tail- and headstock on one guideway

Your Partner for Innovative Industrial Solutions